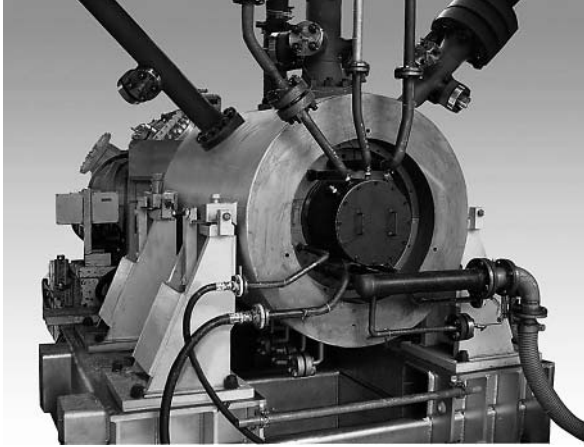
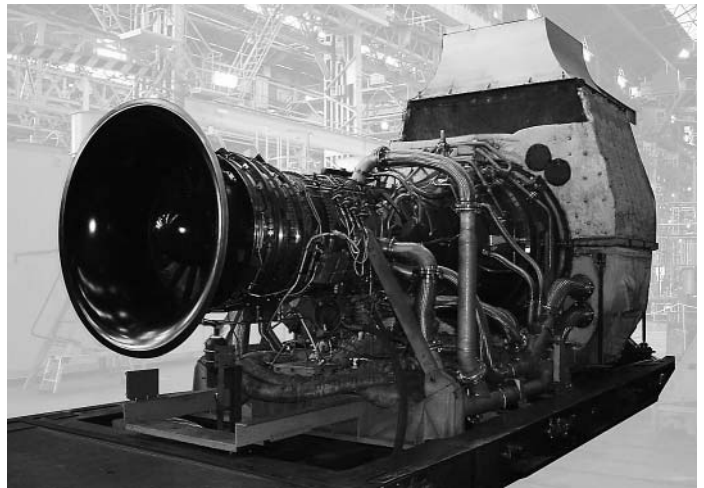


Turbo Machinery of Mitsubishi Heavy Industries

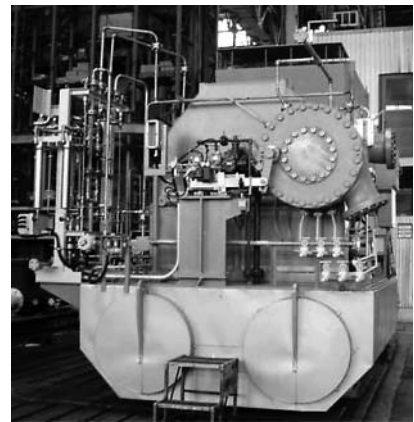
Compressors and Turbines



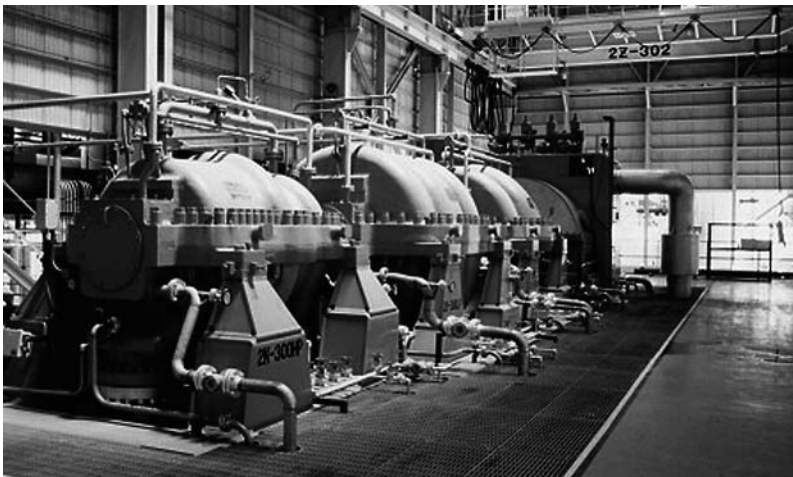
High pressure natural gas injection compressor



Compressor drive gas turbine MFT-8



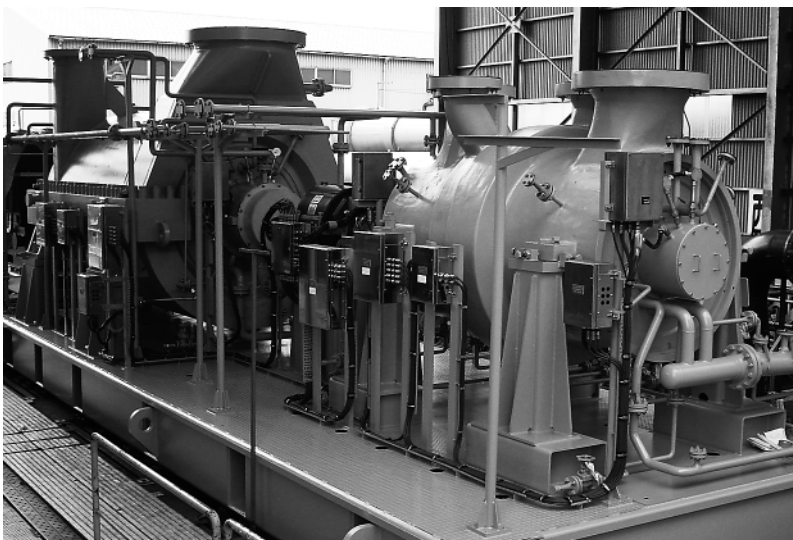
Integrally geared type fuel gas compressor for power generation plant



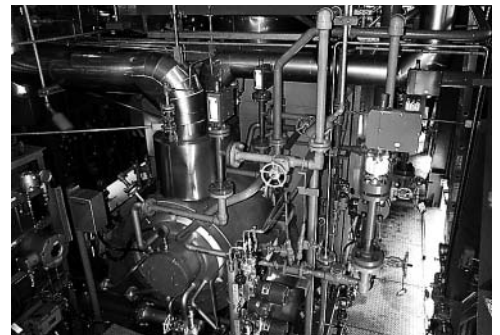
Charge gas centrifugal compressor for ethylene plant



Pipeline booster



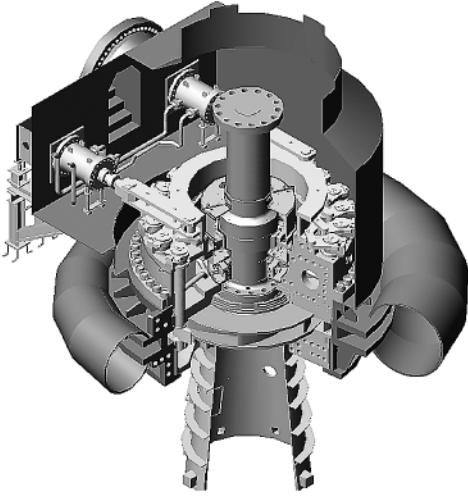
End flash gas compressor for LNG plant (Motor driven)



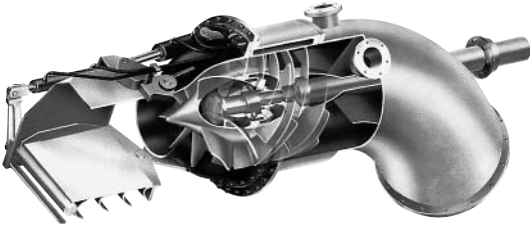
Booster for offshore platform

Turbo Machinery of Mitsubishi Heavy Industries

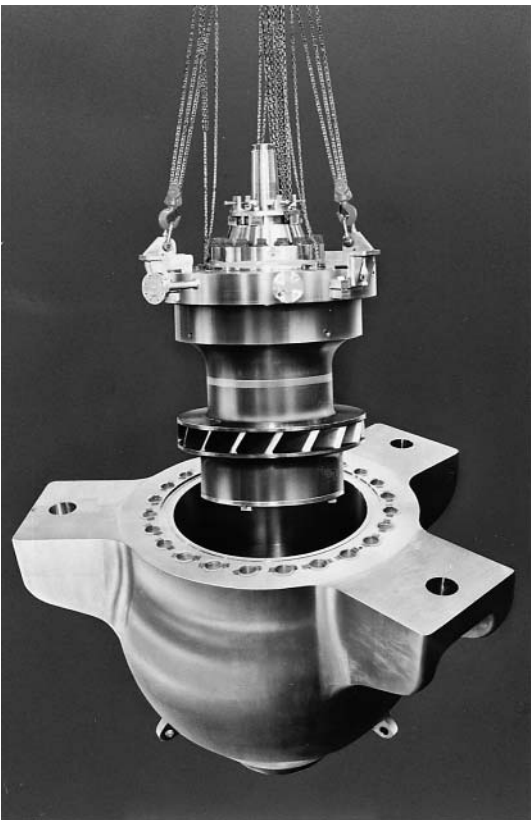
Pumps



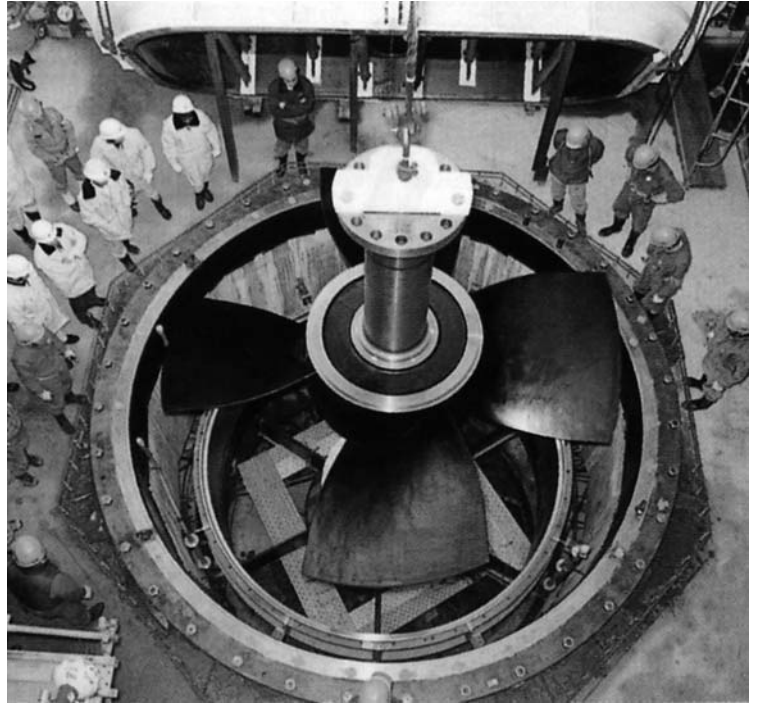
Francis pump turbine for pumped storage power generation



Water jet pump for marine propulsion



Reactor coolant pump for PWR



Large-sized axial flow type pump (used for preventing flood)



Vertical shaft diagonal flow type pump and vertical shaft axial flow type pump (used for preventing flood, sewage system and circulating water in power plant)